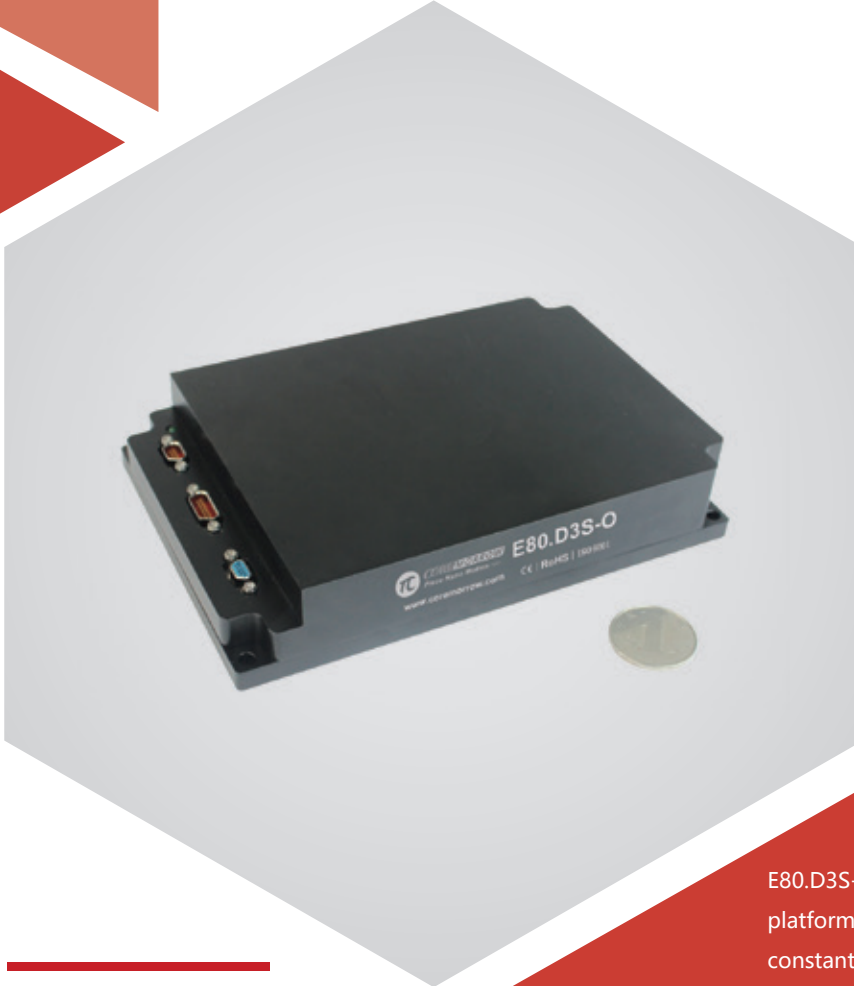


3 Channels | E80.D3S-O

Piezo Controller



Introduction

E80.D3S-O piezo controller is for driving piezo tip/tilt platform, features 3 outputs, and the third channel is constant voltage output that is suitable for differential drive. It has two types, packaged type and board type for choice.

Characteristics >>

- 3 channels
- Digital control
- 20~30V DC power supply
- Suitable for driving piezo steering mirror

Applications >>

- Driving piezo actuator
- Driving piezo nanopositioning stage
- Driving piezo objective scanner
- Driving piezo shifter
- Driving FTS fast tool positioner
- Driving piezo scanning platform
- Driving capacitive load



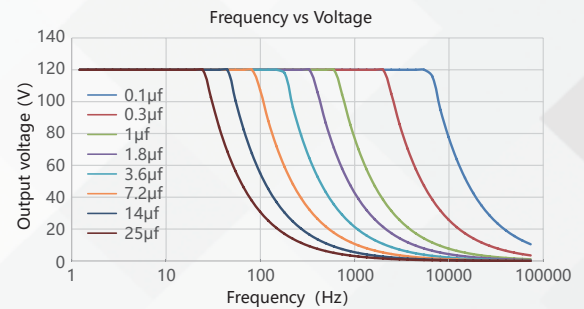
Harbin Core Tomorrow Science & Technology Co., Ltd.

Tel: +86-451-86268790 Email: info@coremorrow.com Headquarters: Building I2, No.191 Xuefu Road, Nangang District, Harbin
Fax: +86-451-86267847 Web: www.coremorrow.com Shanghai Office: Building 2, No.608 Shengxia Road, Pudong District, Shanghai

Technical Data >>

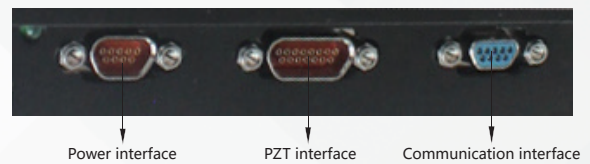
Type	E80.D3S-O
Function	Digital controller
Channels	3
Analog input (V)	-
Output voltage (V)	-20~120(optional -20~100/150), the 3rd channel outputs constant voltage
Input power (W)	56
Peak current (A)	1/channel
Ave.current (mA)	70/channel
Bandwidth (Hz)	10k/channel
Ripple (mV)	5/channel (2.2μF)
PZT connector	J30J-15ZKNP5-J
Communication connector	J30JR-9TJNP5-J
Sensor type	SGS
Servo	PI+low pass
Sensor output connector	J30JR-9TJNP5-J
Communication port	RS-422 (J30JR-9TJNP5-J)
Baud rate	9600, 38400, 57600, 115200
Settable baud rate for software secondary development	9600, 19200, 38400, 57600, 76800, 115200, 128000, 230400, 256000
Processor	ARM 32bit
D/A converter	16bit±10V
A/D converter	16bit±10V
PC software control function	Output voltage and displacement, waveform control, setting parameters
PC software waveform control	Programmable/standard
Secondary development	VC++, Matlab, LabView, DLL dynamic link library functions, etc.
Operating temperature(° C)	-40~65
Overcurrent protection	Yes
Static power(W)	11
Cooling	At the bottom of the shell
Size(mm)	160×110×30
Mass(g)	495
Power supply	20~30V DC3A
Control mode	Digital signal control

Curves >>



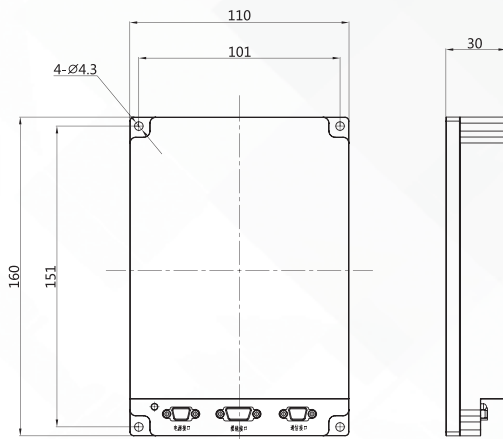
Disclaimer: The data here are typical, only for reference. Some variations will occur for different batch.

Panel Introduction >>



Identifier	Type	Function
Power	J30J-9ZKNP5-J	Power supply connector
PZT	J30J-15ZKNP5-J	The output voltage for driving PZT Sensor input signal
Communication	J30JR-9TJNP5-J	Software control Sensor output signal monitor. Output range 0~10V

Drawing >>



Harbin Core Tomorrow Science & Technology Co., Ltd.

Tel: +86-451-86268790 Email: info@coremorrow.com
 Fax: +86-451-86267847 Web: www.coremorrow.com

Headquarters: Building I2, No.191 Xuefu Road, Nangang District, Harbin
 Shanghai Office: Building 2, No.608 Shengxia Road, Pudong District, Shanghai