

X axis | N56.50K-B1

Linear Piezo Motor



Characteristics >>

- Piezo drive
- High resolution
- Stroke up to 50mm
- Small size

Applications >>

- Atomic force microscope
- Fiber optic docking
- Nano positioning with small load & large travel
- Precision positioning & micro-nano operation of semiconductors, etc.
- Scientific research
- Microfabrication

Introduction

The N56 linear piezo motor adopts piezo micro-drive technology, which uses piezo micro-displacement actuators to achieve high-precision positioning and movement technology. Macro motion linear millimeter-level stroke is achieved after mechanical structure conversion of the micro-deformation of piezo actuator under electric field.



Harbin Core Tomorrow Science & Technology Co., Ltd.

Tel: +86-451-86268790 Email: info@coremorrow.com
Fax: +86-451-86267847 Web: www.coremorrow.com

Headquarters: Building I2, No.191 Xuefu Road, Nangang District, Harbin
Shanghai Office: Building 2, No.608 Shengxia Road, Pudong District, Shanghai

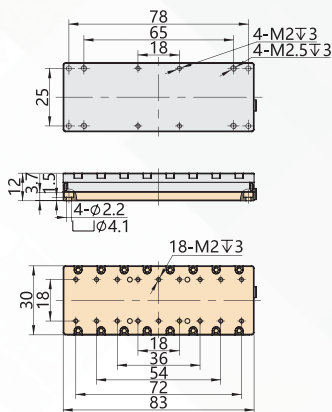
Technical Data >>

Type	N56.50K-B1	Units
Active axes	X	
Nominal travel range	50 or ± 25	mm
Max speed	5	mm/s
Open loop resolution	<1	μm
Max push/pull force (active)	3	N
Max holding force (passive)	4.5	N
Max load (horizontal direction)	500	g
Max load (vertical direction)	0.1	kg
Axial stiffness	1.5	$\text{N}/\mu\text{m} \pm 10\%$
Lateral stiffness	9	$\text{N}/\mu\text{m} \pm 10\%$
Operating temperature ^[1]	0~50	$^{\circ}\text{C}$
Material	Al, stainless steel	
Mass (not include cable)	82	$\text{g} \pm 10\%$
Cable length ^[1]	1.5	$\text{m} \pm 10\text{mm}$
Voltage connector ^[1]	RJ11 4P4C	

Note: UHV version is available. Custom closed-loop version is available.

[1]: custom is available.

Drawing >>



Recommended Controllers >>



E53.C1K-J
 USB and serial port communication
 Suitable for piezo motor
 24VDC/1A power supply



Harbin Core Tomorrow Science & Technology Co., Ltd.

Tel: +86-451-86268790 Email: info@coremorrow.com

Fax: +86-451-86267847 Web: www.coremorrow.com

Headquarters: Building I2, No.191 Xuefu Road, Nangang District, Harbin

Shanghai Office: Building 2, No.608 Shengxia Road, Pudong District, Shanghai