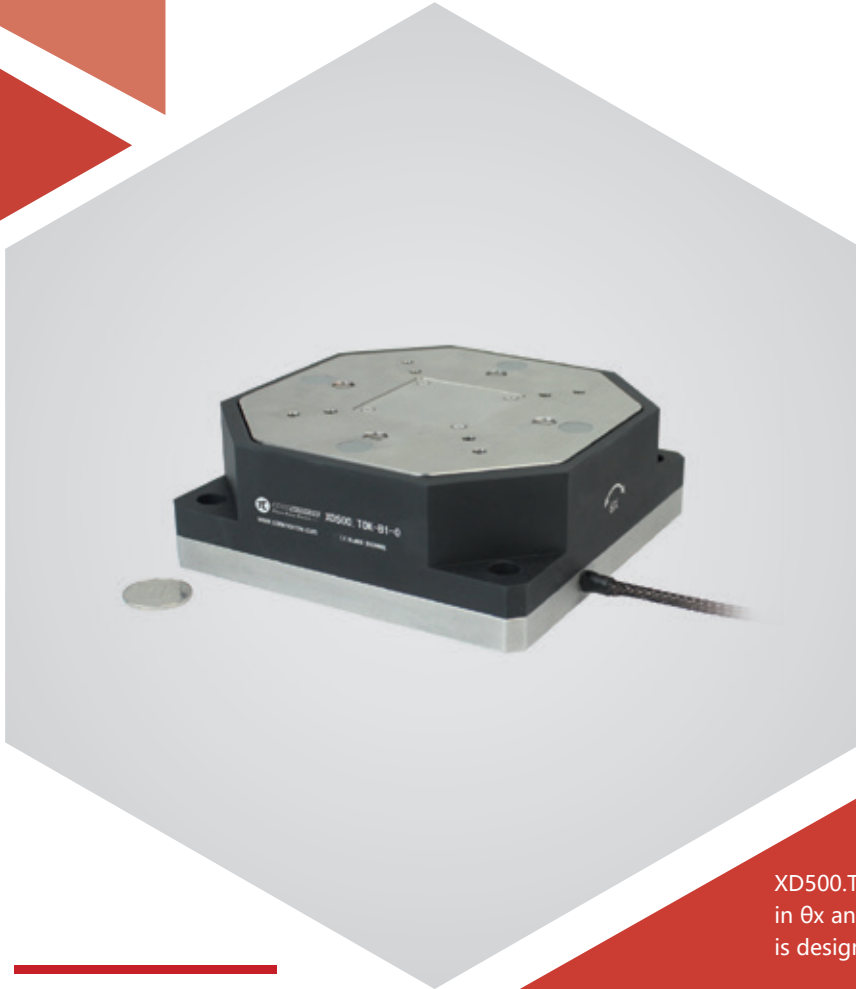


θ_x/θ_y axes | XD500.T0S/K-B1 Piezo Tip/Tilt Stage



Introduction

XD500.T0S/K-B1 piezo tilt/tip platform does the motion in θ_x and θ_y direction, its load capacity is to 10kg, which is designed for large load tilt application.

Characteristics >>

- Motion in θ_x , θ_y
- Load capacity to 10kg
- Optional closed-loop sensor
- Suitable for large load application

Applications >>

- Laser beam deflection
- Laser beam combining
- Beam scanning
- Interference/metering
- Heavy mirror holder deflection
- Space perturbation simulation system
- Calibration of acceleration sensor
- Calibration of angular velocity sensor



Harbin Core Tomorrow Science & Technology Co., Ltd.

Tel: +86-451-86268790

Email: info@coremorrow.com

Headquarters: Building I2, No.191 Xuefu Road, Nangang District, Harbin

Fax: +86-451-86267847

Web: www.coremorrow.com

Shanghai Office: Building 2, No.608 Shengxia Road, Pudong District, Shanghai

Technical Data >>

Type	S-Closed loop K-Open loop	XD500.T0S-B1	XD500.T0K-B1	Units
Active axes		θ_x, θ_y	θ_x, θ_y	
Driving channels		3	3	
Tilt angle(0~120V)		0.46/axis	0.46/axis	mrad \pm 10%
Tilt angle(0~150V)		0.58/axis	0.58/axis	mrad \pm 10%
Integrated sensor		SGS	-	
Resolution		0.2	0.1	μ rad
Closed-loop repeatability		0.1	-	%F.S.
Push/pull force		200/20	200/20	N
Unloaded resonant frequency		1000	1000	Hz \pm 20%
Resonant frequency@10kg		230	230	Hz \pm 20%
Load capacity		10	10	kg
Operating temperature ^[1]		-20~80	-20~80	$^{\circ}$ C
El. capacitance		21.5/axis	21.5/axis	μ F \pm 20%
Material		Aluminum, Steel		
Mass		5	5	kg \pm 5%
Cable length ^[2]		1.5	1.5	m \pm 10mm
Sensor/voltage connector ^[2]		-	-	

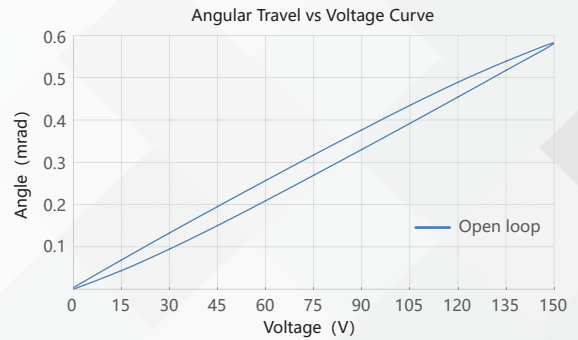
Note: Technical data are measured by CoreMorrow E00/E01 series piezo controller. Max driving voltage could be -20V~150V, 0~120V is recommended for long-term and high-reliable operation. Unless otherwise specified, the above parameters are measured at room temperature about 25 $^{\circ}$ C.

[1] Custom ultralow temperature and ultrahigh vacuum versions are available.

[2] Custom cable length and connector is available.

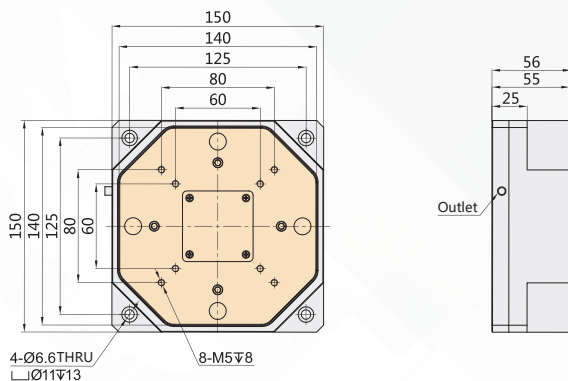
Note: The parallelism of the moving platform is about 20 μ m, and the roughness is about 1.6 to 3.2. Please contact the sales engineer for confirmation before purchase.

Curves >>



Disclaimer: The data here are typical, only for reference. Some variations will occur for different batch.

Drawing >>



Recommended Controllers >>



E01.D3
 LCD, membrane button, up to 625mA
 RS-232/RS-422/USB interface
 Software secondary development



E70
 Small size, ave current 70mA/channel
 RS-232/RS-422/USB interface
 Software secondary development



Harbin Core Tomorrow Science & Technology Co., Ltd.

Tel: +86-451-86268790 Email: info@coremorrow.com

Fax: +86-451-86267847 Web: www.coremorrow.com

Headquarters: Building I2, No.191 Xuefu Road, Nangang District, Harbin

Shanghai Office: Building 2, No.608 Shengxia Road, Pudong District, Shanghai