

# XYZ axis | XYZ65N81K26-B3

## Vacuum Version Piezo Screw Motion Platform



## Introduction

XYZ65N81K26-B3 piezo screw motion platform is a three-dimensional piezo nan positioning stage with 3-axis motion of X, Y, Z and is driven by piezo screw actuators.

### Characteristics >>

- Motion in X, Y, Z
- Nanoscale displacement increment
- Power off self-locking
- More flexible with motorized operation

### Applications >>

- Precise positioning
- Laboratory system construction
- Optics
- Optical fiber application
- Vacuum environment



**Harbin Core Tomorrow Science & Technology Co., Ltd.**

Tel: +86-451-86268790

Email: [info@coremorrow.com](mailto:info@coremorrow.com)

Headquarters: Building I2, No.191 Xuefu Road, Nangang District, Harbin

Fax: +86-451-86267847

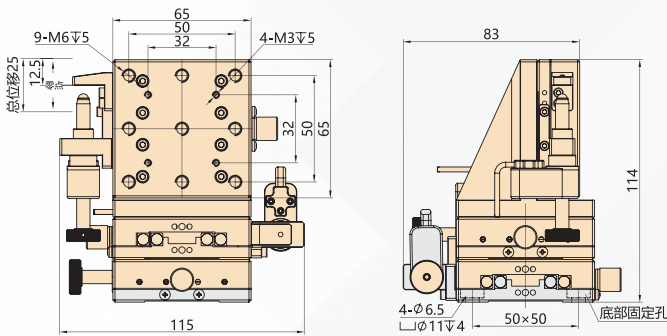
Web: [www.coremorrow.com](http://www.coremorrow.com)

Shanghai Office: Building 2, No.608 Shengxia Road, Pudong District, Shanghai

### Technical Data >>

Type	XYZ65N81K26-B3	Units
Active axes	X、Y、Z	
Travel range	X: 25, Y: 12.5, Z: 12.5	mm±10%
Minimum step	<30	nm
Center load	Upright: 20, Lateral : 15	N
Material	Aluminum	
Operating temperature	10~40	°C
Weight	1160	g±5%
Recommended Controller	E53.C4K	
PZT connector	RJ11	

### Drawing >>



### Recommended Controllers >>



**E53.C4K**  
4 control interfaces, digital control  
USB and serial port communication